

Microscope illumination 顯微鏡用之LED照明系列

Ring Type LED Lighting (HDR61CW) 環型LED照明 (HDR61CW)

RoHS

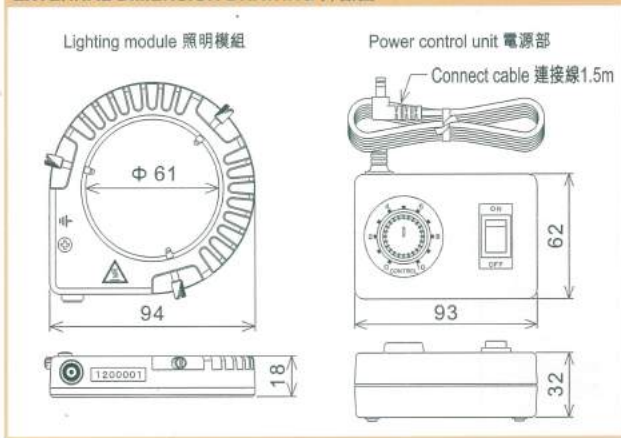
Standard model have ESD function 有防靜電功能標準型號

Features 特長

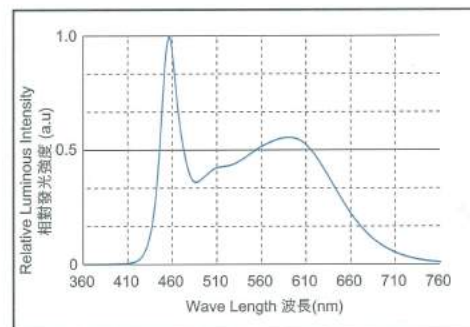
- Selection of high CDI Led chip 採用高演色LED芯片
- Lighting for usage in entity Microscope illumination 適用於各廠家的實體顯微鏡
- And realized as an annular fluorescent lighting uniformity 實現了和環形螢光燈照明一樣的均一性
- Small but well-designed cooling effect 小型而且散熱效果良好的設計
- Most suitable for the production of anti-static clean room requirements 最適合用於無塵房的防靜電生產要求



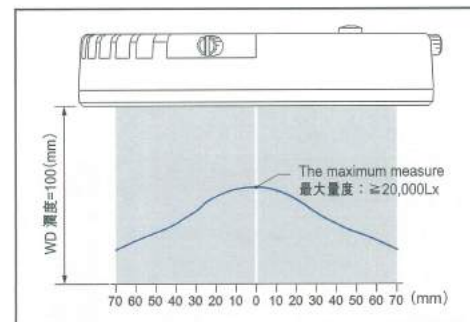
EXTERNAL DIMENSION DRAWING 外觀圖



Luminous Spectrum 光譜系數



Lighting distribution 光源分佈



Specification 規格

Lighting module 照明部

Item 型號	HDR61CW
LED Colour LED 顏色	White 白色
Average intensity 亮度	≥20,000Lx(WD=100mm) ※ 1
Color rendering properties 顯色性能	Ra.85 (Typ.) ※ 2
Color temp. 色溫度	5000K(Typ.) ※ 3
Power supply 額定輸入電壓	DC 10.5V, 0.65A
LED Life LED 壽命	about約 25,000(H)(小時) ※ 4
Outside dimensions 外形尺寸	W94XD94XH18mm (Exposed item not include) (凸起部位除外)
Weight 重量	About 約140g

Power control unit 電源部

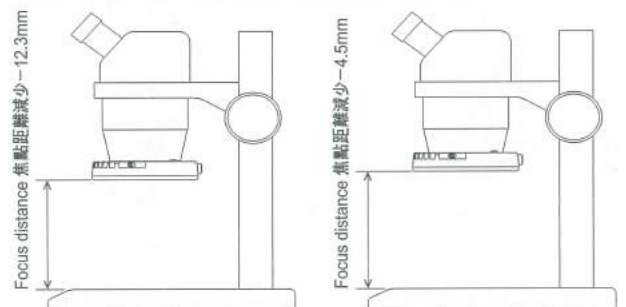
Item 型號	LP-108
Power supply 輸入電壓	AC100~240V, 50/60Hz
Light intensity adjustment 光亮調整	Lighting adjustment range 0-100% 光亮可變範圍: 0~100%
Outside dimensions 尺寸	W93 X D62 X H32mm (Exposed item not include) (凸起部位除外)
Weight 重量(kg)	about 約150g
Approval certificate 測試證書	UL, CE, PSE, CCC, RCM, GS

- ※ 1 Reference sample surface center on entities under the microscope installation
- ※ 2 Color rendering properties Ra value is representative reference values, not guaranteed values
- ※ 3 Color temperature is a reference value, not guaranteed
- ※ 4 LED life due to the different use of the environment change
- ※ 1 實體顯微鏡上安裝情況下的試料面中心的參考值
- ※ 2 顯色性能Ra值是代表參考值,不是保證值
- ※ 3 色溫溫度是參考值,不是保證值
- ※ 4 LED壽命由於使用環境不同而產生變化

Installation-(Option) 安裝方法-(顧客自選)

※ Recommend the use of anti-off assembly installation of the stereomicroscope 對實體顯微鏡的安裝推薦使用防脫落裝配

- ◇ M55XP0.75 (Corresponding models 對應機種: SMZ645)
- ◇ M44XP0.5 (Corresponding models 對應機種: SM-5, SM-6, SMZ)
- ◇ M48XP0.75 (Corresponding models 對應機種: SZ61, SZ60, SZ40)



Installation of supporting the screws
安裝配套固定螺絲

※ For another microscope, please ask
※ 其他不同顯微鏡, 可向我們諮詢

Supporting fixed prevent shedding
防止脫落配套固定

Microscope illumination 顯微鏡用之LED照明

Ring Type LED Lighting 環型LED照明

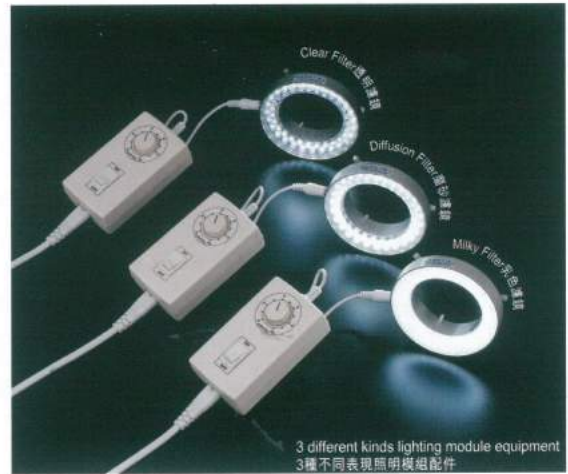
(PSE/UL/CE Approval 認證)

RoHS

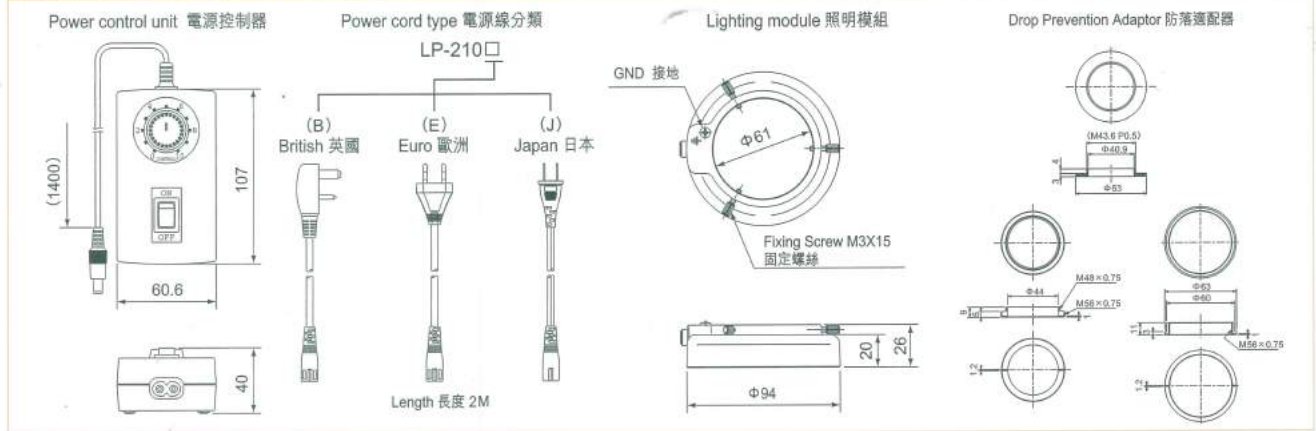
Standard model have ESD function 有防靜電功能標準型號

Features 特長

- Lighting for using in entity Microscope. 用於顯微鏡照明。
- Long life LED of 20,000 hours. LED的壽命約為20,000小時。
- Power consumption is only 6W extremely low. 與其他照明器相比耗電量少只須(6W)。
- D.C. Voltage stabilization provides constant. 採用直流電方式沒有像熒光燈的閃光現象。
- Colour temperature unchanged when you adjust light intensity, Lighting Adjust (0~100%)
即使調節光亮，色溫也不變，光亮調節(0~100%)。
- Low heat compared with other light source.
與其他光源相比發熱量少，不用擔心有燙傷的危險。同時對照射對象不傳熱。
- High Intensity 30,000lx (WD 100mm) 亮度高至30,000lx (工作距離100mm)



EXTERNAL DIMENSION DRAWING 外觀圖



Specification 規格

Standard model have ESD function
有防靜電功能標準型號

Power control unit 電源部

Item 型號	LP-210 □ (□: (B) / (E) / (J))
Power supply 輸入電壓	AC100~240V (Allowed range 容許範圍: AC90V~264V)
Rated frequency 頻率	50 / 60Hz
Power consumption 耗電量	6W
Output voltage 輸出電壓	DC21V (MAX最大)
Output current 輸出電流	180mA
Lighting type 亮燈方式	DC Light Type 直流穩定電流方式
Light intensity adjustment 光亮調節	Output voltage adjustment range 輸出電壓可變範圍 Light adjustment range 光亮可變範圍: 0~100%
Ambient temp. 使用環境溫度	0~40 °C / 20~80%RH
Outside dimensions 尺寸	W60.6 X H107 X D32.2mm
Weight 重量(kg)	150g

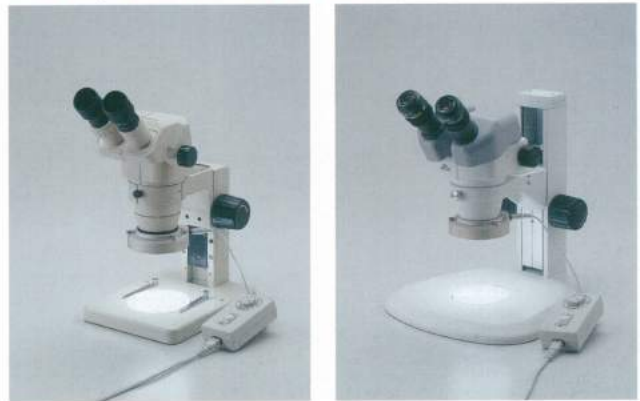
Lighting module 照明模組

Item 型號	HDR61WJ
LED Colour LED 顏色	White 白色
LED life LED 壽命	About 約 20,000 hours 小時
Condition of high 使用高度範圍	60~150mm
Ring diameter inside 鏡筒外徑	MAX最大 Φ61mm
Outside dimensions 尺寸	Out 外徑 Φ94X Inner 內徑 Φ61 X Height 高度 26mm
Weight 重量(kg)	120g

- * Outside Dimensions 尺寸: (Exposed item not include) (凸起部位除外)
- * Weight 重量: Expect the power cord 並不包括電源線
- * Life 壽命: Life time of LED can be influenced by the environmental temperature
LED的壽命會因使用環境不同而有所改變

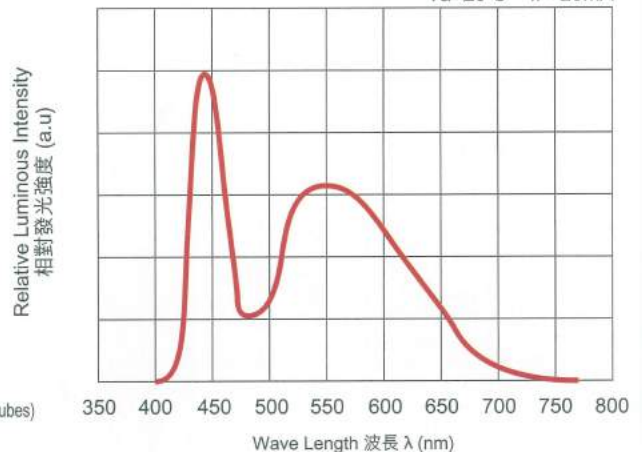
- Power Cord : Japan, Euro, British type can be choose before order
電源接線 : 日本制式英國制式於訂購時選擇
- Lighting Filter : Original standard clear filter, included diffusion any milky filter
(For soft lighting)
濾鏡 : 原裝透明濾鏡，並附磨砂及乳的濾鏡。(可使光源更柔和)
- Jack-preventing frame for lens tube diameter 55mm is available. (Please contact us for other lens tubes)
可用於鏡筒直徑55mm的挺舉防止架。(其他鏡筒請查詢)

Microscope illumination 顯微鏡照明



Luminous Spectrum 光譜系數

Ta=25°C IF=20mA



Microscope illumination 顯微鏡用LED照明

Ring Type LED Lighting (KDR6142C) 環型LED照明 (KDR6142C)

The actual price, the pursuit of high-quality requirements
以實際的價錢，追求高品質的要求。

Feature 特長

- The LED evenly arranged and quality stand, arranged in two lines
以均勻排列及優質兩立以兩行方式排列
- Shell in bright priority scrubs and LED to prevent reflective of milky way as a standard accessory
外殼以光亮優先的磨砂方式及LED防止反光的乳白方式為標準附件
- Compact design..... the lighting adjustment and power switch with integrated lighting module.
緊湊設計..... 光量調節器及電源開關跟照明模組一體化
- Suitable for various brands of the microscope
適合各品牌之顯微鏡配套

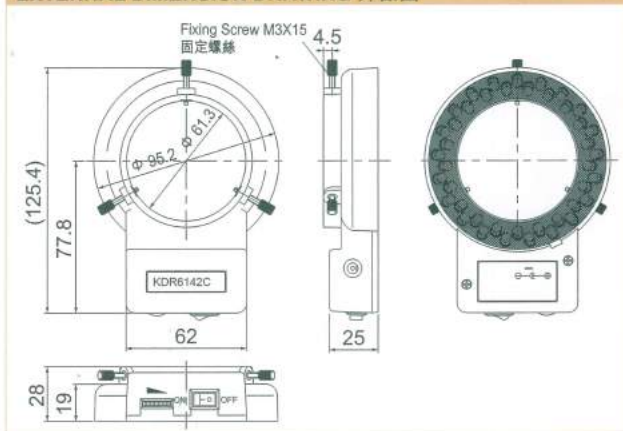


Diffusion shell 磨砂外殼

Milky shell 乳白外殼

2 Kinds of shell for standard Accessories
2種不同外殼為標準附件

EXTERNAL DIMENSION DRAWING 外觀圖



Microscope illumination 顯微鏡照明



Lighting module and adjustment parts integrated
光量調節跟照明模組一體化

Specification 規格

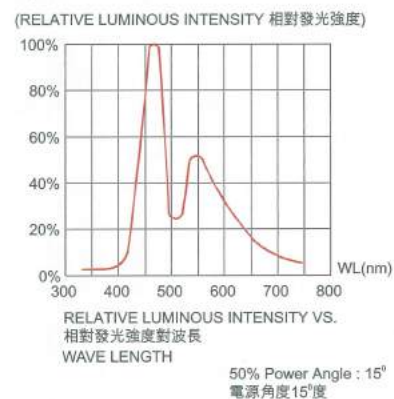
Model 型號	KDR6142C
Output voltage 輸出電壓	DC12V
Power consumption 耗電量	4W
AC Power adapter AC變壓器	Power Supply 輸入電壓: AC 100-240V 50/60Hz Output Voltage 輸出電壓: DC12V 0.5A
LED Colour Led 顏色	White 白色
LED Life LED 壽命	About 約20,000(H)(小時)
Condition of life 使用高度範圍	60mm~150mm
Ring diameter inside 鏡筒外徑	Max.最大Φ 61
Condition of temp. for operation 使用環境溫度	Operation Temp.溫度範圍: 0℃~+40℃ Operation Temp.濕度範圍: 20~80%RH (non-moisture) (無結露)
Weight 重量	About 約100g (AC Adaptor not include 交流整流器除外)

※ Life time of lamp will change by the operation 壽命會隨不同環境而有改變

● This product is KORIN'S products with in Group 本產品是集團KORIN'S內製品



Luminous Spectrum 光譜系數



Spot Ace 點光源高手

RoHS

Most suitable for checking the product surface damage, dirt and singular matter.
最適合檢查產品表面傷痕，污垢，異物等。

Modified for lens exchange type can be selected according to different purposed.
改良鏡片交換式，可以根據不同的用途進行選擇。

The master of the large vendors of digital cameras has superior performance Spot Ace, evolution will be further improved.
在數碼相機大廠商之間擁有優越業績的Spot Ace將更進一步改良進化。

From inspection lighting to find the surface damage lighting, uses in the gradually expanding.
從檢查用照明到「尋找傷痕照明」，用途在逐漸擴大。

Continuous efforts to explore the study visual inspection results, as the shape and size.
不斷探求研究目視檢查的結果，成為了這樣的「形狀」和「規格」。

Spot Ace new born lens exchange!!
點光源高手新生為鏡片交換式!!

Feature 特長

● Using Industry-leading, high-brightness 4 Chip LED 採用業界領先的高亮度4芯片LED

The most suitable place of halogen lamp colour type and can be more distinctive illuminate surface damage by the type of of high-brightness white light 2 species.
提供最適合代替鹵化光源的燈泡色型和能更加鮮明照出傷痕的亮度白色光型的2個種類。

※ Can take advantage of variety of customers to improve clarity optional filter clip.
可以利用各種提高清晰的顧客自選濾光鏡。

● Using the Company's own constant current dimming. 採用本公司獨自的恆定電流調光方式

Continuous lighting without flash, to reduce the burden of visual inspection of the eyes, and improve work efficiency. Realized the respetitive linear dimming characteristic, can be the most appropriate illumination adjustment.
在連續點燈時因沒有閃光，減少了在目視檢查時對眼睛的負擔，提高工作效率。實現了可重覆性的直線型調光特性，可以進行最合適的照度調整。

Purposes 用途

- Products for visual inspection of the lighting in the manufacturing inspection works.
產品在製造檢查工程中用於目視檢查的照明。
- Example: Lenses, glass products, sheets, films, metal surface evaporation state, the IC chip mounting substrate, automotive parts, coating uneven, uneven color. 例如鏡片，玻璃制品，薄板，膠片，金屬表面的蒸鍍狀態，晶片，安裝基板，汽車零件，塗裝不均勻，顏色不均勻等。
- Working machinery auxiliary lighting, custom device with a light source.
工作機械的輔助照明，定制裝置用光源。

● Most suitable for clean room fanless design 最適合潔淨室的無風扇設計

No cooling fan does not cause dust flying, according to its own cooling structure for long time job no heat.
無因冷卻風扇不會造成灰塵飛散，根據獨自的冷卻構造長時間的作業也不會發熱。

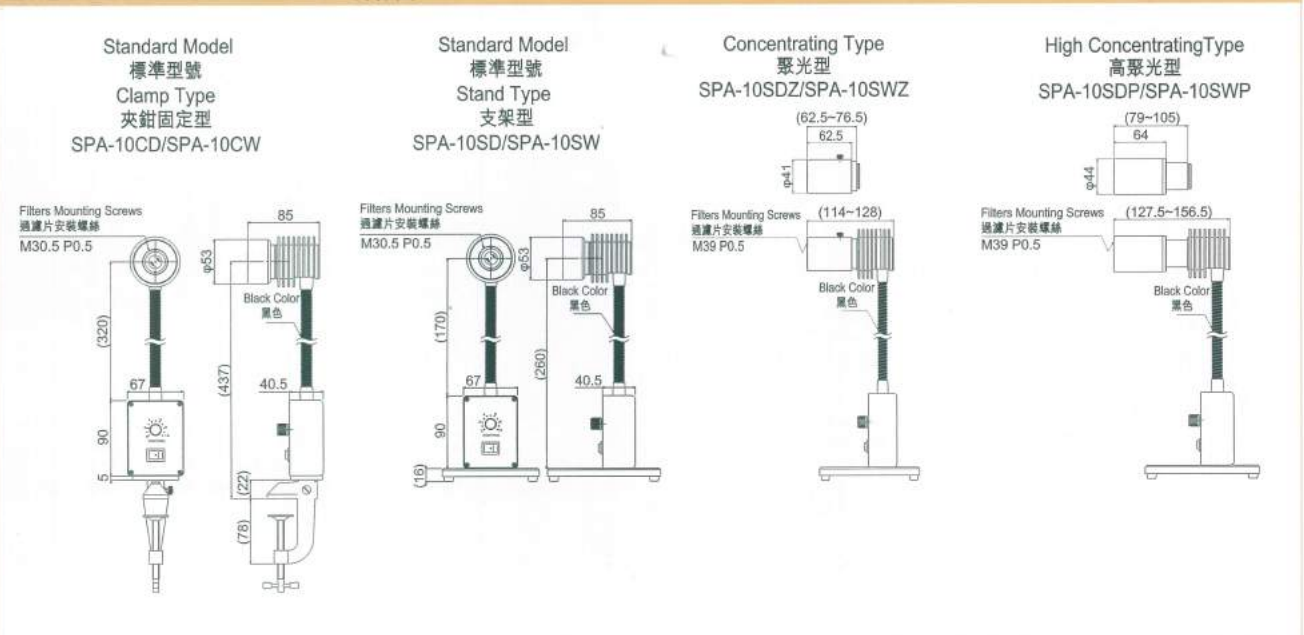
● Design for optimum illumination structure 為最佳照明而設計的構造

As can crank can be used corresponding to the angle of the head of a wide variety of applications such as transmission, reflection, etc. With the setting up the the enviroment, you can choose a bracket or clamp fixed type. 由於採用了可曲臂，可以使用對應如透射，反射對各種各樣用途的頭部角度。配合設置環境，可以選擇支架型或夾鉗固定型。

Cost Comparison 成本比較

	Time use for one day 1天的使用時間	50 pcs in one year use in the workshop 50台於1年間(240日)使用在工場		
		Power Consumption maximum load 耗電量(最大負荷時)	Electricity charges (15 Japanese Yen / KW unit calculation) 電費 (15 ¥ /KW日本單位計算)	CO ₂ Excretion CO ₂ 排出量
100V 150W Halogen lamp 100V 150W鹵化燈泡	8	14,400KW	216,000 ¥	7,992kg
Spot Ace 點光源	8	1,152KW	17,280 ¥	638kg
Reduce Amount 減少量	—	13,288KW	198,720 ¥	7,354kg

EXTERNAL DIMENSION DRAWING 外觀圖





standard model 標準型號 SPA-10SW (Left左) / SPA-10CD (Right右)



Concentrating Type 聚光型



High Concentrating Type 高聚光型

Specifications 規格

Model 型號	SPA-10CD	SPA-10CW	SPA-10SD	SPA-10SW	SPA-10SDZ	SPA-10SWZ	SPA-10SDP	SPA-10SWP
Setting method 安裝方法	Clamp 夾鉗固定型		Stand Type 支架型		Stand Type 支架型		Stand Type 支架型	
LED color LED 發光色	Warm White 燈泡色	White 白色	Warm White 燈泡色	White 白色	Warm White 燈泡色	White 白色	Warm White 燈泡色	White 白色
Lens type 鏡片規格	Standard 標準			Concentrating Type 聚光型		High Concentrating 高聚光型		
Lens model 鏡片型號	TKG-3079-650			TKG-3079-2650		TKG-3800-250		
Center illumination intensity 中心照度 ※1	10,000lx	30,000lx	10,000lx	30,000lx		120,000lx~65,000lx		700,000lx~162,000lx
Irradiation range 照射範圍	Φ180mm ※2			Φ80~115mm ※2		Φ11~35mm ※2		
LED life time LED壽命	about 約 20,000H ※3							
Filter of head part 照明頭部過濾片	Φ30.5				Φ39 ※4			
Rated input voltage 額定輸入電壓	DC15V							
Power consumption 耗電量	12W							
Light intensity adjustment 調光	Continuous dimming by frontal dimming volume 用前面的調光旋鈕進行連續調光							
Cooling method 冷卻方法	Natural Exothermic 自然放熱							
Condition 使用環境	Temperature 周圍溫度: 0℃~+40℃ Humidity 周圍濕度: 20%~80%RH (Non-moisture) (無結露)							
Weight 重量	About 約 800g (AC Adaptor not included 交流整流器除外)				About 約 1,020g (AC Adaptor not included 交流整流器除外)		About 約 1,055g (AC Adaptor not included 交流整流器除外)	
Subsidiary AC adaptor 附屬交流整流器	Input 輸入 AC 100V-240V 50/60Hz Output 輸出: DC 15V 0.8A							

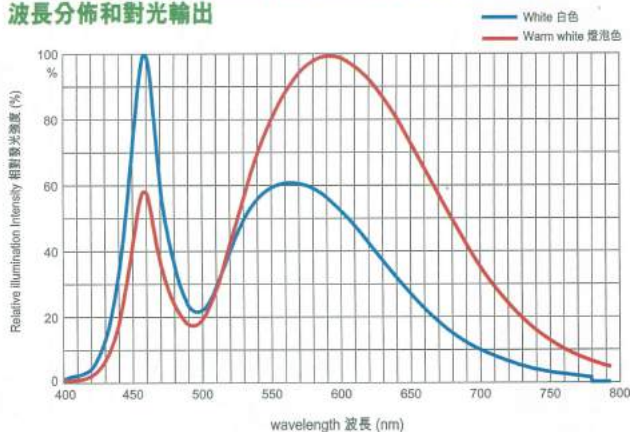
※1 Intensity of illumination in WD is 200mm. It is for reference only. (High Concentrating Type is WD=100mm) 中心照度: WD=200mm參考值(高聚光型為WD=100mm)

※2 Irradiation Range is WD in 200mm. It is for reference only. (High Concentrating Type is WD=100mm) 照射範圍: WD=200mm參考值(高聚光型為WD=100mm)

※3 Life time: lamp will change by the operation temperature and is not guaranteed. 壽命: 使用壽命會因使用環境而發生變化, 並非為保證值。

※4 Filter is custom-made 過濾片: 為訂貨生產

Wavelength distribution and Relative light output 波長分佈和對光輸出



Filter of Head Part (Option) 照明頭部過濾片 (顧客自選)

Model 型號	Type 分類
LB-80 30.5mm	color temp. conversion filter (Light Blue) 色溫度變換過濾片(淺藍色)
LA-120 30.5mm	color temp. conversion filter (Amber) 色溫度變換過濾片(琥珀色)
Y-48 30.5mm	sharp cut filter (yellow) 銳截止濾光鏡(黃色)
G-533 30.5mm	green filter 綠色濾光鏡
R-60 30.5mm	sharp cut filter (red) 銳截止濾光鏡(紅色)
KF-30 30.5mm	diffusion filter 漫射濾光鏡
PL-30 30.5mm	polarizer filter 偏光濾光鏡

