

Best for high current measurements

SS-280A series

Frequency bandwidth : 30MHz
 Temperature range (Sensor) : -40°C to 125°C
 Peak voltage : 1.2kV, max.
 Coil length : 80mm
 Coil diameter : 1.7mm, max.

30A peak SS-281A	60A peak SS-282A	120A peak SS-283A	300A peak SS-284A	600A peak SS-285A	1,200A peak SS-286A	3,000A peak SS-287A	6,000A peak SS-288A (made to order)	12,000A peak SS-289A (made to order)
---------------------	---------------------	----------------------	----------------------	----------------------	------------------------	------------------------	---	--



NEW

SS-620 series

Frequency bandwidth : 20MHz (SS-62xM)
 25MHz (SS-62xS*)
 Temperature range (Sensor) : -40°C to 125°C
 Peak voltage : 5kV, max.
 Coil length : 200mm (SS-62xM)
 100mm (SS-62xS*)
 Coil diameter : 3mm, max.

600A peak SS-625M SS-625S*	1,200A peak SS-626M SS-626S*	3,000A peak SS-627M SS-627S*	6,000A peak SS-628M SS-628S*	12,000A peak SS-629M SS-629S*
----------------------------------	------------------------------------	------------------------------------	------------------------------------	-------------------------------------

*Under development



SS-290 series

Frequency bandwidth : 10MHz (SS-29xL)
 20MHz (SS-29xS)
 Temperature range (Sensor) : -40°C to 125°C
 Peak voltage : 10kV, max.
 Coil length : 700mm (SS-29xL)
 300mm (SS-29xS)
 Coil diameter : 8.5mm, max.

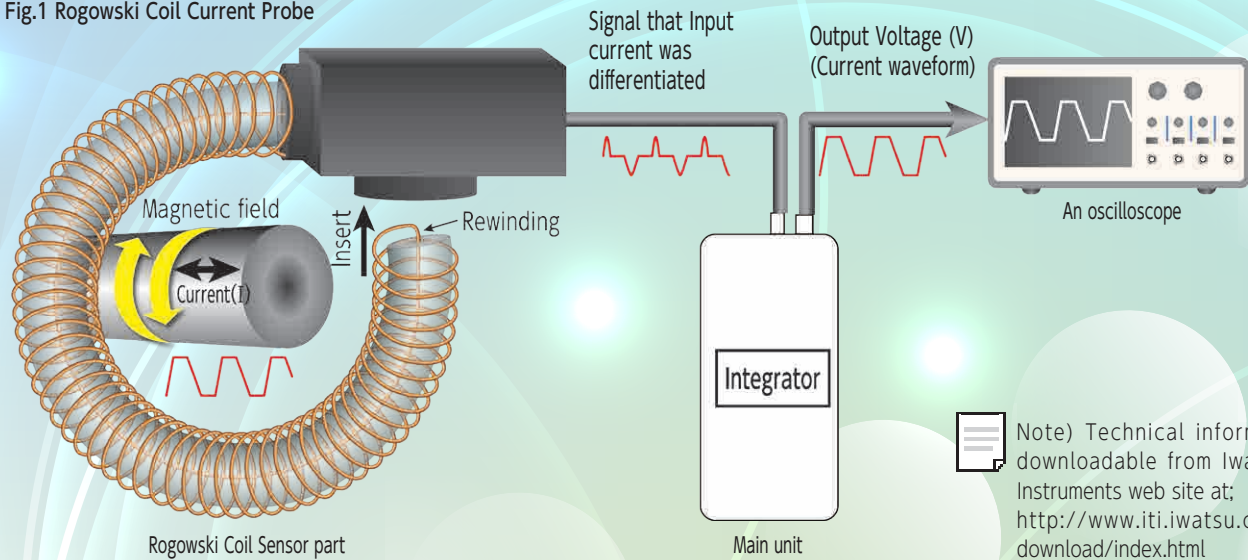
1,200A peak SS-293L SS-293S	3,000A peak SS-294L SS-294S	6,000A peak SS-295L SS-295S	12,000A peak SS-296L SS-296S
-----------------------------------	-----------------------------------	-----------------------------------	------------------------------------

Principle of Rogowski Coil Current Probe

Rogowski Coil Current Probe measures current through placing a coil around the current flow to be measured (the coil loop) and detecting a change in magnetic flux generated by the current flow to be measured. According to Ampere's law, in the Rogowski Coil, commonly known that the integration of flux along with closed loop measured as current magnetic field is equal to the current that flows inside of Rogowski coil.

As Rogowski Coil is shown in Fig.1, a wire is wound evenly like a coil on a core in a spiral configuration and the last turn rewound into the coil center.

Fig.1 Rogowski Coil Current Probe



SS-280A series

Frequency bandwidth: **30MHz**

Temperature range(Sensor): **-40°C to 125°C**

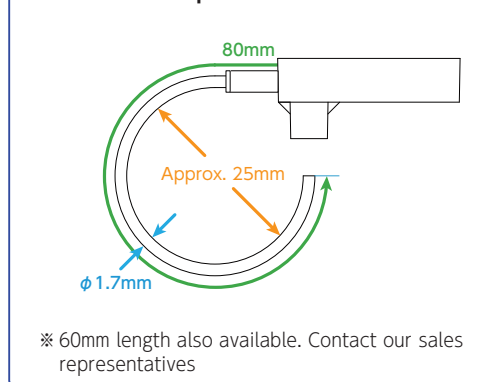
Peak voltage: **1.2kV**

Coil length: **80mm**

Coil diameter: **1.7mm, max.**

30A peak	SS-281A
60A peak	SS-282A
120A peak	SS-283A
300A peak	SS-284A
600A peak	SS-285A
1,200A peak	SS-286A
3,000A peak	SS-287A
6,000A peak	SS-288A (made to order)
12,000A peak	SS-289A (made to order)

Sensor close-up



Probing example



SS-280A series specifications

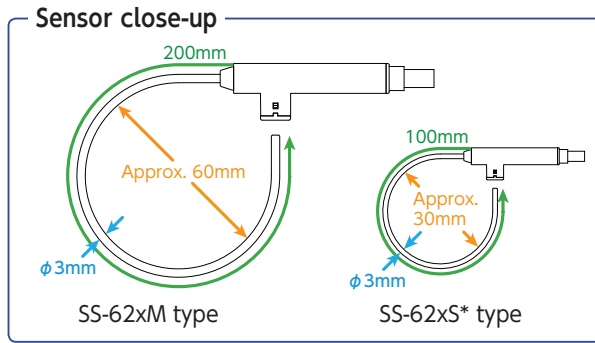
Model	Frequency bandwidth [-3dB]	Temperature range (Sensor)	Sensitivity [mV/A]	Peak current [A]	Peak di/dt [kA/μs]	Noise level [mV rms]	Absolute maximum di/dt	
							Peak [kA/μs]	RMS [kA/μs]
SS-281A	110Hz to 30MHz	-40°C to 125°C	200	30	2	3.5	80	1.0
SS-282A	65Hz to 30MHz		100	60	4	2.5		
SS-283A	32Hz to 30MHz		50	120	8	2.0		
SS-284A	9Hz to 30MHz		20	300	20	1.8		
SS-285A	6Hz to 30MHz		10	600	40			
SS-286A	3Hz to 30MHz		5	1,200	80	1.4	2.0	
SS-287A			2	3,000				
SS-288A(made to order)	2Hz to 30MHz		1	6,000				
SS-289A(made to order)		0.5	12,000					

NEW

SS-620 series

Frequency bandwidth: **20MHz (SS-62xM)**
25MHz (SS-62xS*)
 Temperature range(Sensor): **-40°C to 125°C**
 Peak voltage: **5kV, max.**
 Coil length: **200mm (SS-62xM)**
100mm (SS-62xS*)
 Coil diameter: **3mm, max.**

600A peak	SS-625M / SS-625S*
1,200A peak	SS-626M / SS-626S*
3,000A peak	SS-627M / SS-627S*
6,000A peak	SS-628M / SS-628S*
12,000A peak	SS-629M / SS-629S*



Probing example

SS-620 series specifications

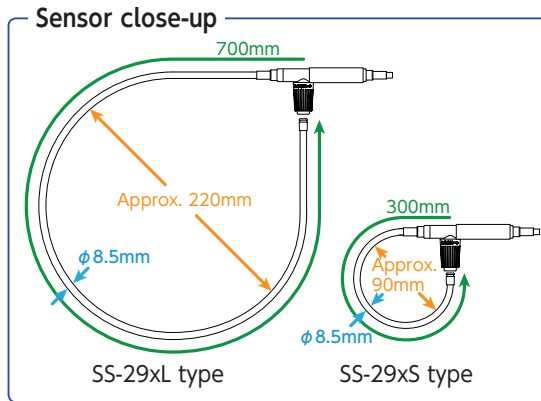
Model	Frequency bandwidth [-3dB]	Temperature range (Sensor)	Sensitivity [mV/A]	Peak current [A]	Peak di/dt [kA/μs]	Noise level [mV rms]	Absolute maximum di/dt	
							Peak [kA/μs]	RMS [kA/μs]
SS-625M	2Hz to 20MHz	-40°C to 125°C	10	600	32	5.0	80	3.0
SS-625S*	2Hz to 25MHz				40			
SS-626M	1Hz to 20MHz				60			
SS-626S*	1Hz to 25MHz		5	1,200	80	3.5		
SS-627M	0.8Hz to 20MHz		2		3,000			
SS-627S*	0.8Hz to 25MHz		1	6,000		1.4		
SS-628M	0.6Hz to 20MHz		0.5		12,000			
SS-628S*	0.6Hz to 25MHz							
SS-629M	0.4Hz to 20MHz							
SS-629S*	0.4Hz to 25MHz							

*under development

SS-290 series

Frequency bandwidth: **10MHz (SS-29xL)**
20MHz (SS-29xS)
 Temperature range(Sensor): **-40°C to 125°C**
 Peak voltage: **10kV, max.**
 Coil length: **700mm (SS-29xL)**
300mm (SS-29xS)
 Coil diameter: **8.5mm, max.**

1,200A peak	SS-293L / SS-293S
3,000A peak	SS-294L / SS-294S
6,000A peak	SS-295L / SS-295S
12,000A peak	SS-296L / SS-296S




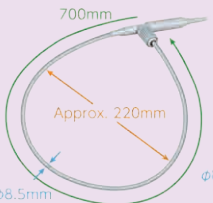
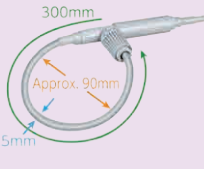


Probing example

SS-290 series specifications

Model	Frequency bandwidth [-3dB]	Temperature range (Sensor)	Sensitivity [mV/A]	Peak current [A]	Peak di/dt [kA/μs]	Noise level [mV rms]	Absolute maximum di/dt	
							Peak [kA/μs]	RMS [kA/μs]
SS-293L	1Hz to 10MHz	-40°C to 125°C	5	1,200	32	3.5	80	3.0
SS-293S	1Hz to 20MHz				60			
SS-294L	0.8Hz to 10MHz				2			
SS-294S	0.8Hz to 20MHz		1	6,000	1.4			
SS-295L	0.6Hz to 10MHz		0.5			12,000		
SS-295S	0.6Hz to 20MHz							
SS-296L	0.4Hz to 10MHz							
SS-296S	0.4Hz to 20MHz							

Common specifications

		SS-280A series	SS-620 series	SS-290 series
Basic Specifications	Sensitivity accuracy	± 2%(-10°C to 70°C) + additional ± 250ppm/°C at out of above range		± 2%(-10°C to 60°C) + additional ± 300ppm/°C at out of above range
	Output	Connector	Connector : BNC	
		Voltage range, max.	± 6V (load ≥ 100kΩ) ※ ± 2V at 50ohm	
	Linearity	±0.05% of full scale		
Zero Adj. range	± 300mV or above			
Sensor coil	Dimensions		 	 
	Coil length	80mm ± 5mm (60mm length also available, contact our sales representative)	SS-62xM: 200mm ± 10mm SS-62xS*: 100mm ± 10mm	SS-29xL: 700mm ± 10mm SS-29xS: 300mm ± 10mm
	Coil diameter	1.7mm, max.	3mm, max.	8.5mm, max.
	Maximum voltage	1.2kVpeak	5kVpeak	10kVpeak
	Sensor cable length	1.5m ± 50mm	3.0m ± 100mm	
	Operation temp.	-40°C to 125°C (Sensor cable included)		
Amplifier	Dimensions	Approx. 80(W) × 165(H) × 35(D) mm		
	Weight	Approx. 0.37kg	Approx. 0.4kg	SS-29xL: Approx. 0.50kg SS-29xS: Approx. 0.48kg
	Power supply	Size AA type dry battery : 4pcs. or AC adaptor**		
	Accessories	Approx. 18hours(Alkaline battery operation) Approx. 30hours(Alkaline battery operation)		
Environment	Operation temp. range	0°C to 40°C, 80%RH or less (excluding sensor part)		
	Storage temp. range	-10°C to 60°C, 80%RH or less		
	Altitude	≤ 2,000m at ≤ 25 °C		

* Under development

** For AC adaptor, please contact our representatives in your region.

• Some of the products are Regulated Products subject to the Foreign Exchange and Foreign Trade Control Law of Japan. Export should not be allowed without appropriate governmental authorization. Please ask our sales office whether the product concerned is a Regulated Product.

• The products shown in this catalogue are current models at the date of publication.
• Designs and specifications are subject to change without notice for improvement.
• All enterprises and product names mentioned are trademarks or registered trademarks

IWATSU <http://www.iti.iwatsu.co.jp/>

IWATSU TEST INSTRUMENTS CORP.

Sales Dept.

International Sales Section

7-41, 1-Chome Kugayama, Suginami-Ku,
Tokyo, 168-8511 Japan

Tel: +81-3-5370-5483 Fax: +81-3-5370-5492

Sales Representative in your region: