

Terminal Type Thermocouple Transducer (AC Power)

MODEL TZ-1CA

NEW!



Input Specification

Code No.	Thermo couple	Input signal	For code No.Y	Input resistance	Input allowable range
J0	J	0 to 1000°C	-50 to 1000°C span	More than 1MΩ	±150%
JY		Other than the above			
K2	K	-50 to 200°C	-50 to 1200°C span		
K3		0 to 200°C			
K4		-50 to 1200°C			
K5		0 to 1200°C			
KY		Other than the above			
R0	R	0 to 1700°C	0 to 1700°C span		
RY		Other than the above			
S0	S	0 to 1700°C	0 to 1700°C span		
SY		Other than the above		500 to 1700°C	
T0	T	-50 to 350°C	-50 to 350°C span		
T1		0 to 350°C			
TY		Other than the above		200 to 400°C	

Output Specification

Code No.	Output signal	Allowable Loadresistance
0	0 to 5VDC	More than 2kΩ
1	1 to 5VDC	
2	0 to 10VDC	More than 4kΩ Negative output: more than 10kΩ
3	-10 to 10VDC	
4	-2 to 2VDC	More than 2kΩ Negative output: more than 10kΩ
5	-2.5 to 2.5VDC	
6	-5 to 5VDC	More than 2kΩ
7	0 to 4VDC	
A	4 to 20mADC	Less than 550Ω
B	0 to 20mADC	
Y	Other than the above	

For code No. Y

Limit of specifications

Voltage output : Less than +15 VDC and more than -12 VDC
 Minimum span : Less than +27 VDC and more than 0.06 VDC
 (Load resistance : 10kΩ at the output exceeding 10V, and a negative output)
 (Base accuracy : ±0.15 %F.S and temperature characteristic : ±0.03 %F.S/°C for a span of less than 1V)
 Current output : Less than +20 mADC and more than 0 mADC
 Minimum span : Less than +20 mADC and more than 1 mADC
 Outputs can be reversed for both voltage and current outputs.

General Specifications

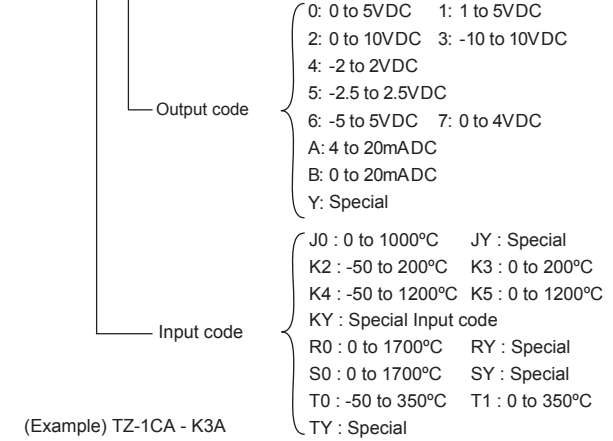
Base Accuracy : ±0.2 %F.S (25 ±2°C)
 Power supply variation : ±0.06 %F.S
 Load resistance variation : ±0.06 %F.S
 Temperature characteristic : ±0.02 %F.S/°C
 Accuracy of cold junction compensation : ±1°C (10 to 30°C)
 Disconnection detection : Upside (.135±15%F.S)
 Response time : 500msec (0→90%)
 Front adjustments : ±5% for zero and span
 Insulation resistance : Between input and output/power supply ; More than 100MΩ at 500 VDC
 Dielectric strength : Between input and output/power supply ; For 1 min. at 2000VAC
 Power supply voltage : 100 to 240VAC ±10 %
 Consuming current : Less than 35 mA (At current output 100VAC)
 Less than 30 mA (At voltage output 100VAC)
 Vibration resistance : Frequency : 10 to 55Hz ; amplitude (half) : 0.15mm to 10 sweeps of 5min each in X,Y and Z directions
 Operating ambient temperature : -5 to 50°C
 Operating ambient humidity : Less than 90 %RH (No-condensing)
 Storage temperature : -10 to 70°C
 Storage humidity : Less than 60%RH (No-condensing)
 Case material : ABS resin (Black) 94V-2
 Weight : Approx. 80g

Features

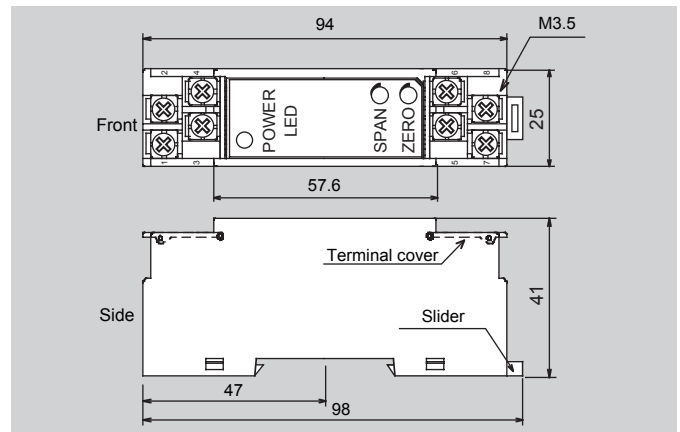
- AC power supply 90 VAC to 240 VAC
- DIN rail mounting
- Input/Output/Power supply isolated

Ordering Code

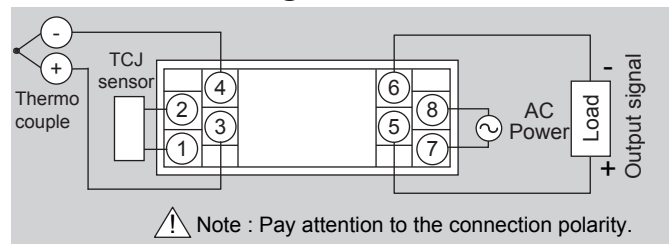
TZ-1CA-□□□



Dimensions



Connection Diagram



Block Diagram

