

Dual-output Distributor (Current Loop Supply)

WSP-DBZW



The plug-in distributor (Current loop supply) provides isolated 2 signal outputs, which can be used in combination with a transmitter. It supplies DC power to a field transmitter, and converts 4-20mA signal transmitted to the suitable signal for input of monitoring and control equipment.

Features

- ★ Fine Zero & span adjustment by 15 turn trimmer
- ★ Zero & span adjustment $\pm 10\%$ full scale
- ★ Safe design by dielectric strength of 3000Vac
- ★ 5 years warranty, long life
- ★ CE approved
- ★ Can be used as Dual-output Isolator

Ordering code

WSP- **DBZW** - [] [] - [] []

Code	Transmitter power supply
A	24Vdc $\pm 1V$ Max approx. 25mA

Code	Output 1	Allowable Load Resistance
A	4 to 20mA dc	750 Ω or less
H	1 to 5Vdc	1k Ω or more

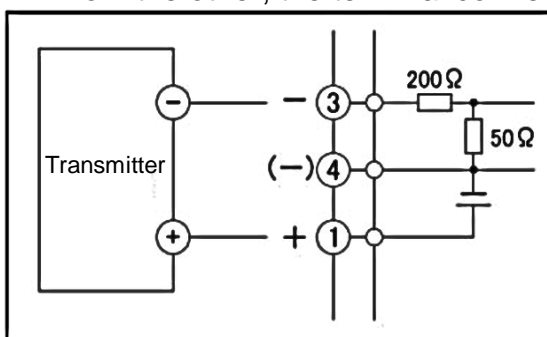
Code	Output 2	Allowable Load Resistance
A	4 to 20mA dc	350 Ω or less
H	1 to 5Vdc	1k Ω or more

Code	Test Report
X	None
T	With Test report

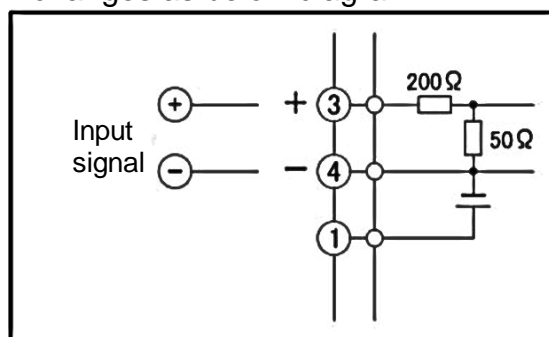
Code	Power Supply
A	100 to 240Vac $\pm 10\%$ 50/60Hz
D	24Vdc $\pm 10\%$
*1	21.6 to 30Vdc
8	110Vdc $\pm 10\%$

<Precautions for wiring>

Please note that when using as isolator, or when transmitter power supplies from the other, the terminal connection changes as below diagram.



★ Normal connection of distributor



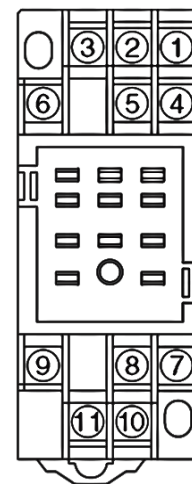
★ The connection for using as isolator or when transmitter power supplies from the other

*1...CE approval do not adapt when power supply is 21.6Vdc to 30Vdc.

Specifications

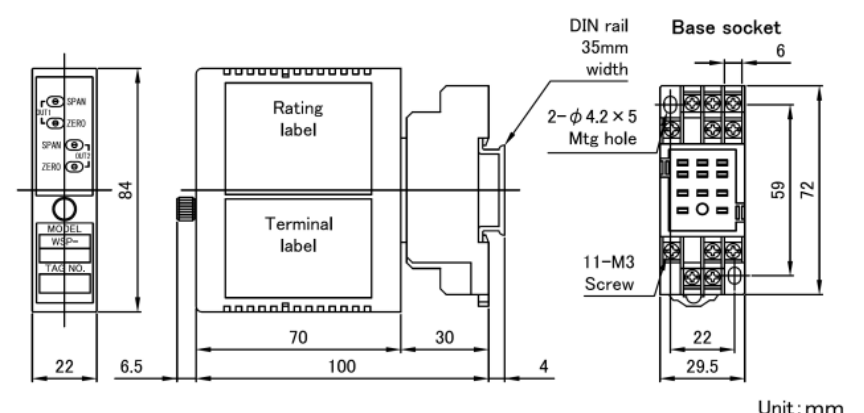
Input Signal	4-20mA dc (Transmitter signal) (Input resistance 250 Ω)
Accuracy	$\pm 0.1\%$ FS (at 23°C)
Response time	Approx. 25ms (0 to 90%)
Allowable load	Current output First output : 15V or less of voltage drop between output Second output : 7V or less of voltage drop between output Voltage output Load current 5mA or less
Zero & span adjustment	$\pm 10\%$ FS (15 turn trimmer)
Transmitter power supply	24Vdc $\pm 1V$, max approx. 25mA
Operating temperature	-5 to +55°C
Operating relative humidity	90% or less (Non-condensing)
Temperature coefficient	$\pm 0.015\%$ FS of span per °C
Isolation	Between input, output, and power supply
Insulation resistance	100M Ω or more with 500Vdc megger Between input, output, and power supply terminal
Dielectric strength	3000Vac for 1 minute between power supply and input/output terminal, 2000Vac for 1 minute between input and output terminal
Power consumption	Approx. 5.7VA (AC), Approx. 100mA (DC)
Power supply variation	$\pm 0.1\%$ FS (within the range of rated voltage)
Dimensions	84(H) X 29.5(W) X 106.5(D)mm
Weight	Approx. 150g
Structure	Plug-in (Body part and socket part)
Connection	M3 SEMS screw part of the base socket (Tightening torque 0.6N·m)
Mounting	DIN rail or wall surface
Case color and material	Ivory, ABS resin, flame retardant grade UL94V-0
EMC directive	EN61326-1, EN61010-1, EN IEC 63000 Installation category : II, Pollution degree : 2
Rated altitude	2000m or less

Terminal connections



No	Symbol	Description
1	TRANSMITTER +	Transmitter
2	OUTPUT-2 +	No.2 Output
3	TRANSMITTER -	Transmitter
4	COM -	(Adjusting terminal)
5	OUTPUT-2 -	No.2 Output
6	NC	No connection
7	OUTPUT-1 +	No.1 Output
8	NC	No connection
9	OUTPUT-1 -	No.1 Output
10	POWER U(+)	Power Supply
11	POWER V(-)	

Dimensions



Unit: mm

* Specification is subject to change without notice