



The plug-in distributor (Current loop supply) provides isolated signal output, which can be used in combination with a transmitter. It supplies DC power to a field transmitter, and converts 4-20mA signal transmitted to the suitable signal for input of monitoring and control equipment.

## Features

- ★ Fine Zero & span adjustment by 15 turn trimmer
- ★ Zero & span adjustment  $\pm 10\%$  full scale
- ★ Safe design by dielectric strength of 3000Vac
- ★ 5 years warranty, long life
- ★ CE approved
- ★ Can be used as Isolator

## Ordering code

WSP- **DBZ** - **□□** - **□□**

Code	Power Supply
A	100 to 240Vac $\pm 10\%$ 50/60Hz
D	24Vdc $\pm 10\%$
*1	21.6 to 30Vdc
8	110Vdc $\pm 10\%$

Code	Transmitter power supply
A	24Vdc $\pm 1V$ Max approx. 25mA
C	30Vdc $\pm 1V$ Max approx. 22mA

Code	Output	Allowable Load Resistance
A	4 to 20mA dc	750 $\Omega$ or less
H	1 to 5Vdc	1k $\Omega$ or more
P	0 to 10Vdc	2k $\Omega$ or more
S *2	Contact us for other than the above Current output 20mA or less Voltage output 10V or less	

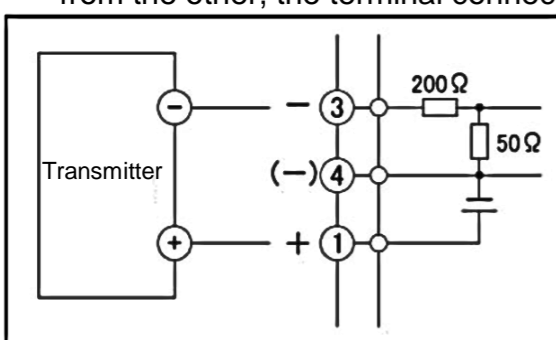
Code	Test Report
X	None
T	With Test report

\*1...CE approval do not adapt when power supply is 21.6Vdc to 30Vdc.

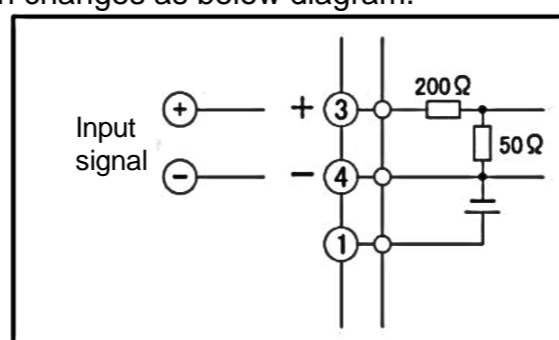
\*2...CE approval do not adapt output range code S.

## <Precautions for wiring>

Please note that when using as isolator, or when transmitter power supplies from the other, the terminal connection changes as below diagram.



★ Normal connection of distributor

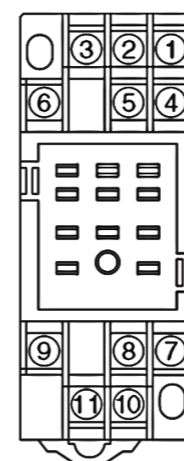


★ The connection for using as isolator or when transmitter power supplies from the other

## Specifications

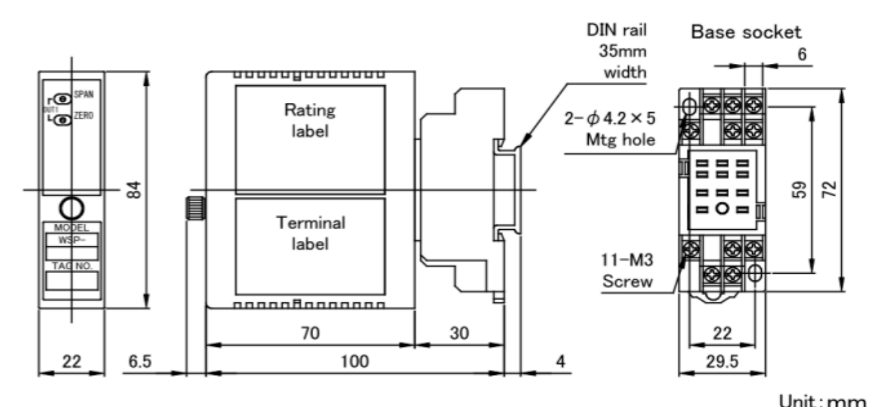
<b>Input Signal</b>	4-20mA dc (Transmitter signal) (Input resistance 250 $\Omega$ )
<b>Accuracy</b>	$\pm 0.1\%$ FS (at 23°C)
<b>Response time</b>	Approx. 25ms (0 to 90%)
<b>Allowable load</b>	Current output 15V or less of voltage drop between output Voltage output Load current 5mA or less *1 $\mu$ A or less if the output is less than 1V FS
<b>Zero &amp; span adjustment</b>	$\pm 10\%$ FS (15 turn trimmer)
<b>Transmitter power supply</b>	Model code [A] : 24Vdc $\pm 1V$ , max approx. 25mA Model code [C] : 30Vdc $\pm 1V$ , max approx. 22mA
<b>Operating temperature</b>	-5 to +55°C
<b>Operating relative humidity</b>	90% or less (Non-condensing)
<b>Temperature coefficient</b>	$\pm 0.015\%$ FS of span per °C
<b>Isolation</b>	Between input, output, and power supply
<b>Insulation resistance</b>	100M $\Omega$ or more with 500Vdc megger Between input, output, and power supply terminal
<b>Dielectric strength</b>	3000Vac for 1 minute between power supply and input/output terminal, 2000Vac for 1 minute between input and output terminal
<b>Power consumption</b>	24V Transmitter power supply : Approx. 5.2VA (AC), Approx. 90mA (DC) 30V Transmitter power supply : Approx. 5.4VA (AC), Approx. 95mA (DC)
<b>Power supply variation</b>	$\pm 0.1\%$ FS (within the range of rated voltage)
<b>Dimensions</b>	84(H) X 29.5(W) X 106.5(D)mm
<b>Weight</b>	Approx. 150g
<b>Structure</b>	Plug-in (Body part and socket part)
<b>Connection</b>	M3 SEMS screw part of the base socket (Tightening torque 0.6N·m)
<b>Mounting</b>	DIN rail or wall surface
<b>Case color and material</b>	Ivory, ABS resin, flame retardant grade UL94V-0
<b>EMC directive</b>	EN61326-1, EN61010-1, EN IEC 63000 Installation category : II, Pollution degree : 2
<b>Rated altitude</b>	2000m or less

## Terminal connections



No	Symbol	Description
1	TRANSMITTER +	Transmitter
2	NC	No connection
3	TRANSMITTER -	Transmitter
4	COM -	(Adjusting terminal)
5	NC	No connection
6	NC	No connection
7	OUTPUT-1 +	Output
8	NC	No connection
9	OUTPUT-1 -	Output
10	U(+) V(-)	Power Supply
11		

## Dimensions



\* Specification is subject to change without notice