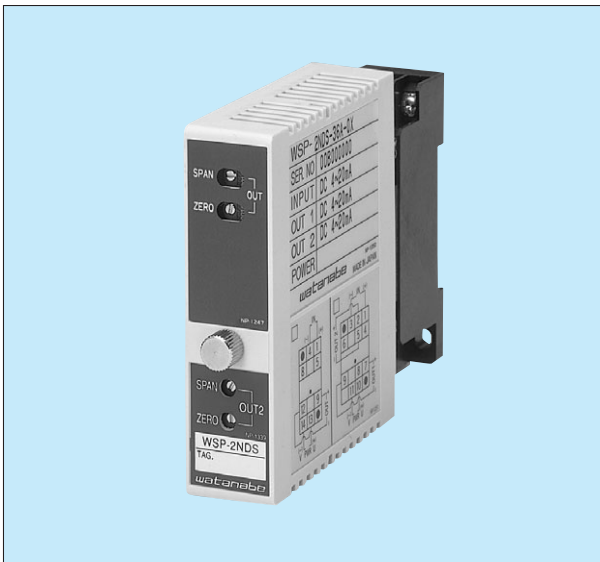


Dual Channel No-Power-Supply Isolator

WSP-2NDS

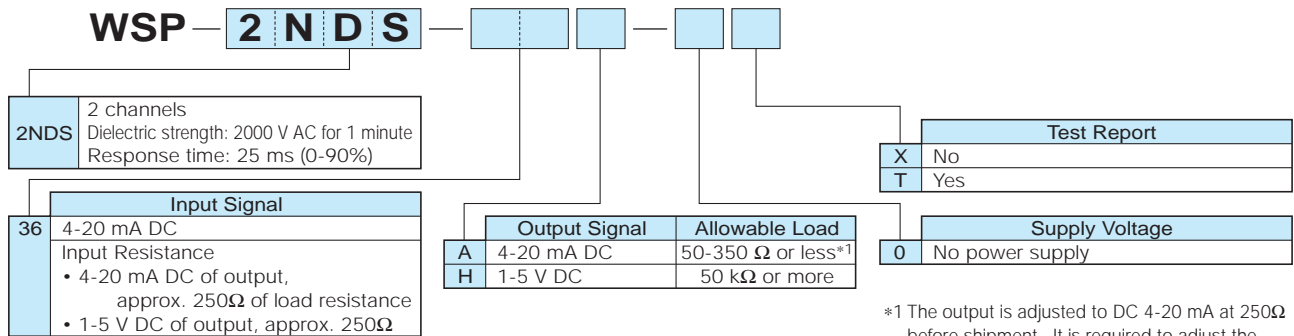


This compact plug-in isolator isolates between inputs and outputs from each other without power supply. Two channels availability allows the user to save the mounting space significantly.

Features

- Dielectric strength of 2000 V AC between input and output
- This compact and tightly mountable isolator allows the user to downsize the system.
- No power supply permits placement almost anywhere.
- Accuracy: $\pm 0.1\%$, Response time: 25 ms
- Shortened time of completion and high serviceability thanks to plug-in design

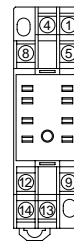
Model name



Specifications

Accuracy:	$\pm 0.1\%$ fs (at 23°C)
Response time:	25 ms (time required to reach 90% of final value)
Allowable load:	Voltage output: Load resistance 50 kΩ or more Current output: 50-350Ω, 250= before shipment
Zero & span adjustment:	$\pm 5\%$ fs (3-turn trimmer)
Operating temperature and humidity:	-5 to +55°C, 90% RH or less (without condensation)
Influence of ambient temperature:	For 10°C of temperature fluctuation, Voltage output: $\pm 0.15\%$ fs Current output: $\pm 0.2\%$ fs
Isolation:	Between input and output terminals, and between channels
Insulation resistance:	100 MΩ or more with a 500 V DC megger Between input and output terminals
Dielectric strength:	2000 V AC for 1 minute between input and output terminals
Dimensions:	84(H)x23(W)x106.5(D)mm
Weight:	Approx. 150g
Structure:	Plug-in (consisting of main unit and socket part)
Connection part:	M3 SEMS screw part of the base socket
Material of terminal screw:	Chromated iron
Case color and material:	Ivory, heat-resistant ABS resin (94V-0)
Mounting:	DIN rail or wall surface

Dimensions: Refer to Dimensional Drawing I
Terminal arrangement:



No.	Symbol	Description
1	No.1 +	No.1 Input
4	INPUT -	Signal
5	No.2 +	No.2 Input
8	INPUT -	Signal
9	No.1 +	No.1 Output
12	OUTPUT -	Signal
13	No.2 +	No.2 Output
14	OUTPUT -	Signal