

# DC VOLTMETER & AMMETER

## AP-202A

### ✳ ISOLATED Power Supply



### ■ DC Voltage Measurement

Model	Range	Maximum Resolution	Input Impedance	Input Protection
AP-202A-11	±199.9mV	100 $\mu$ V	100M	±100V
AP-202A-12	±1.999V	1mV	100M	±100V
AP-202A-13	±19.99V	10mV	10M	±250V
AP-202A-14	±199.9V	100mV	10M	±500V

Accuracy:  $\pm 0.1\%$  rdg.  $\pm 1$  digit ( $23^\circ\text{C} \pm 5^\circ\text{C}$ )

### ■ DC Current Measurement

Model	Range	Maximum Resolution	Input Resistance	Input Protection
AP-202A-21	±199.9 $\mu$ A	100nA	1k	±10mA
AP-202A-22	±1.999mA	1 $\mu$ A	100	±50mA
AP-202A-23	±19.99mA	10 $\mu$ A	10	±150mA
AP-202A-24	±199.9mA	100 $\mu$ A	*1	±500mA
AP-202A-25	±1.999A	1mA	*0.1	±3A

Accuracy:  $\pm 0.2\%$  rdg.  $\pm 1$  digit ( $23^\circ\text{C} \pm 5^\circ\text{C}$ )  
 $\pm 0.3\%$  rdg.  $\pm 1$  digit only for AP-202A-25

\* These resistors are connected to the outside of the unit.

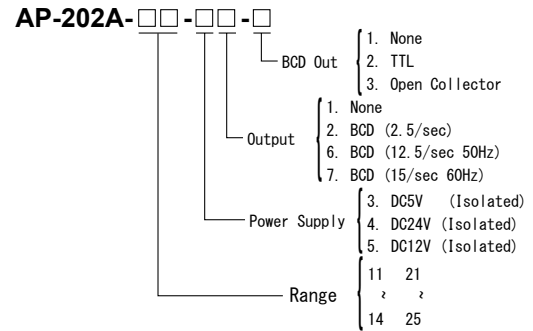
### ■ Specifications

Input Configuration: Single Ended  
 Input Bias Current: 50pA (Typ.)  
 Conversion Rate: 2.5/sec or 12.5/sec (50Hz), 15/sec (60Hz)  
 Normal Mode Rejection: 40dB (Typ.) (50/60Hz)  
 Zero Stability: Automatic Zero Adjustment  
 Display: LED, 10.2mm 3 1/2-digit  
 Polarity: A "-" is displayed automatically  
 Decimal Point: Settable to any digit position  
 Overrange Indication: When input exceeds the maximum display, 1999 flashes.  
 Power Supply: DC5V  $\pm 5\%$ , 120mA  
 DC12V  $\pm 20\%$ , 50mA  
 DC24V  $\pm 20\%$ , 25mA  
 Operating Temperature:  $0^\circ\text{C}$  to  $50^\circ\text{C}$ , 35 to 85%RH  
 Power Consumption: 650 mW  
 Dimensions: 24(H)  $\cdot$  48(W)  $\cdot$  73(D)mm DIN Size  
 Weight: Approx. 50g  
 Dielectric Strength: Between Input (Lo) terminal and power supply (0V), DC  $\pm 500\text{V}$   
 Between power supply terminal and case, AC1500V/1 min.  
 Insulation Resistance: DC500V 100M at above terminals

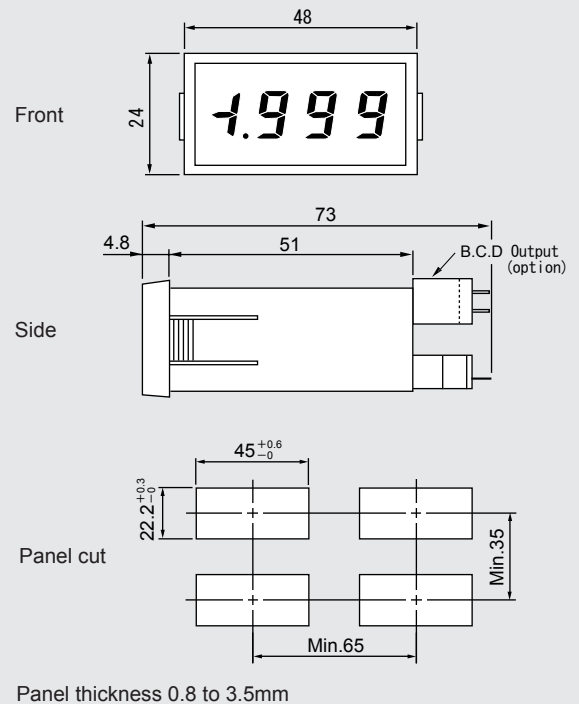
### ■ Features

- BCD (option)
- DC5V, DC12V, DC24V (Isolated)
- Bright LED 10.2mm (Red)
- Conversion Rate 2.5/sec or 12.5/sec (50Hz), 15/sec (60Hz)
- 200mV~200V, 200 $\mu$ A~2A Measurement

### ■ Ordering Code



### ■ Dimensions



### ■ Connection Diagram

