

DC VOLTMETER & AMMETER

AP-201A

*Standard 3 1/2 Digit



■ Features

- Low Cost
- Bright LED 10.2mm(Red)
- DC5V(Non-Isolated)
- 200mV~200V Measurement

■ DC Voltage Measurement

Model	Range	Maximum Resolution	Input Impedance	Input Protection
AP-201A-11	±199.9mV	100 μ V	100M	±100V
AP-201A-12	±1.999V	1mV	100M	±100V
AP-201A-13	±19.99V	10mV	10M	±250V
AP-201A-14	±199.9V	100mV	10M	±500V

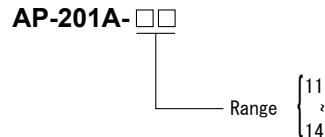
Accuracy: $\pm 0.1\%$ rdg. ± 1 digit (23° C5° C) Stability Max. 2 digits for only AP-201A-11

■ Specifications

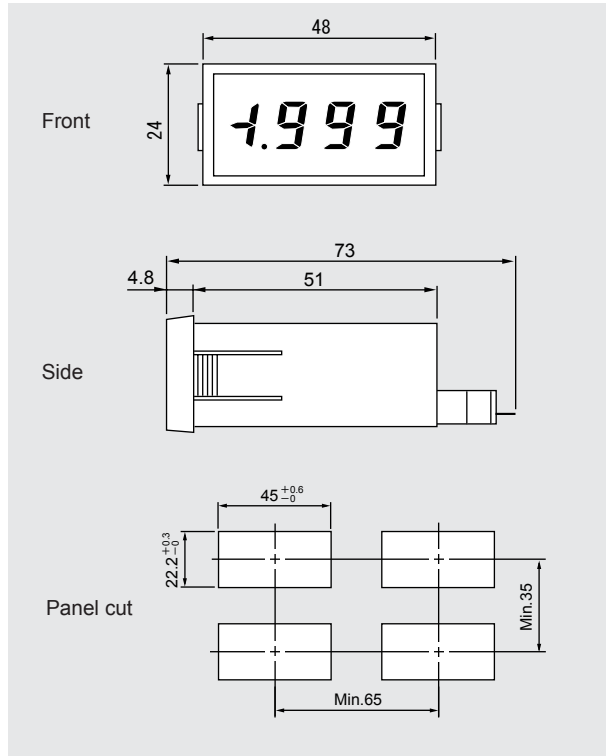
Input configuration: Single Ended.
 Input Bias Current: 50PA(Typ.)
 Conversion Rate: 2.5/sec
 Normal Mode Rejection: 40dB(Typ.) (50/60Hz)
 Zero Stability: Automatic Zero Adjustment
 Display: LED, 10.2mm 3 1/2 -digit
 Polarity: A "-" is displayed automatically
 Decimal Point: Settable to any digit position
 Overrange Indication: Flashes 1 or -1 of the most significant digit for an input signal exceeding the maximum display range.

Power Supply: DC5V $\pm 5\%$, 60mA
 Operating Temperature: 0~50° C, 35 to 85%RH
 Power Consumption: Approx. 60mA
 Dimensions: 24(H) · 48(W) · 73(D)mm DIN Size
 Weight: Approx. 40g
 Dielectric Strength: Between input(Lo) terminal and mounted plate. AC1500V/1 min.
 Insulation Resistance: DC500V 100M at above terminals

■ Ordering Code



■ Dimensions



■ Connection Diagram

