

OPEN CASE METER

AH-381

※LCD Display



■ DC Voltage Measurement

Model	Range	Maximum Resolution	Input Impedance	Input Protection
AH-381-11	±199.9mV	100μV	100M	±5V
AH-381-12	±1.999V	1mV	100M	±5V

Accuracy: 0.1% rdg. ±1 digit (23° C ±5° C)

■ Specifications

Input Configuration:	Single Ended
Conversion Rate:	2.5/sec
Normal Mode Rejection:	40dB (Typ.)
Zero Stability:	Automatic zero adjustment
Display:	LCD, 10.2mm
Polarity:	A "-" is displayed automatically
Decimal Point:	Settable to any digit position
Overrange Indication:	When input exceeds the maximum display, display 1 or -1 of the most significant digit
Power Supply:	DC5V ±5%
Operating Temperature:	0~50° C, 35 to 85%RH
Power Consumption:	3mA (Max.)
Dimensions:	29.5 (H) · 65 (W) · 16.5 (D)mm
Weight:	Approx. 17g

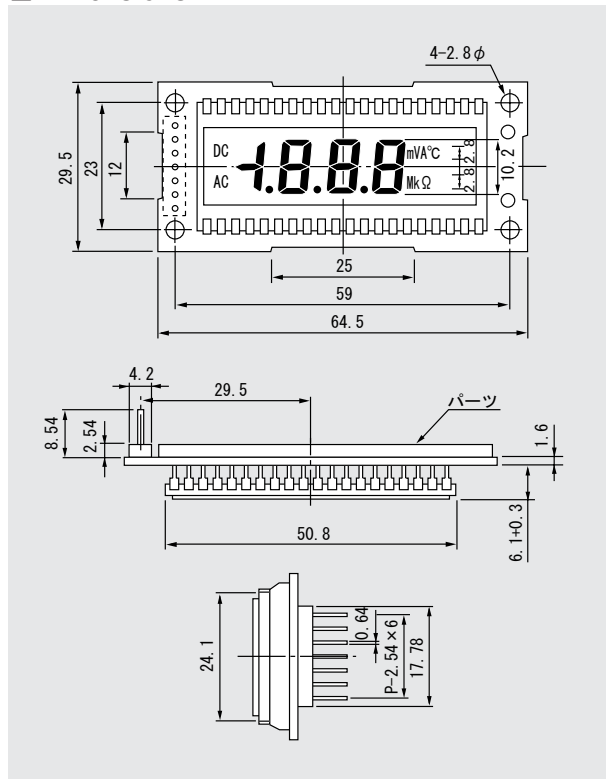
■ Features

- LCD, 10.2mm
- Engineering units available
- Power supply 5V DC ±5%
- 200mV~2V Measurement

■ Ordering Code

AH-381-□□
 Range { 11
 12

■ Dimensions



■ Connection Diagram

