

OPEN CASE METER

AH-330, 331

*EASY Installation



(AH-331)

■ DC Voltage Measurement

Model	Range	Maximum Resolution	Input Impedance	Input Protection
AH-330-11	±99.9mV	100 μ V	100M	±100V
AH-330-12	±0.999V	1mV	100M	±100V
AH-331-11	±199.9mV	100 μ V	100M	±100V
AH-331-12	±1.999V	1mV	100M	±100V

Accuracy: $\pm 0.1\%$ rdg, ± 1 digit (23 $\pm 5^{\circ}$ C)

■ Specifications

Input Configuration: Single Ended
 Input Bias Current: 50PA (Typ.)
 Conversion Rate: 2.5/sec
 Normal Mode Rejection: 40dB (Typ.)
 Zero Stability: Automatic zero adjustment
 Display: LED, 14.2mm
 Polarity: A "-" is displayed automatically
 Decimal Point: Settable to any digit position
 Overrange Indication: When input exceeds the maximum display, lights up OVER LED (AH-330) or 1999 flashes (AH-331)
 Power Supply: DC5V $\pm 5\%$
 Operating Temperature: 0 \sim 50 $^{\circ}$ C, 35 to 85%RH
 Power Consumption: AH-330 75mA, AH-331 80mA
 Dimensions: 29.5 (H) \times 65 (W) \times 18.2 (D) mm
 Weight: Approx. 20g

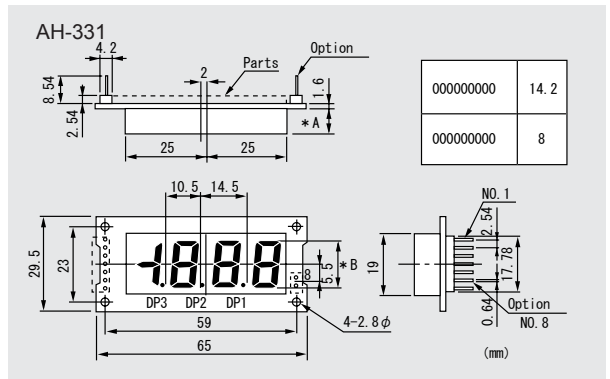
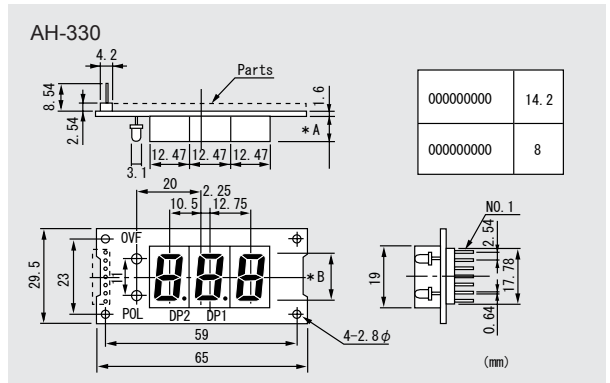
■ Ordering Code

AH-330-□□
 331 Range { 11, 12

■ Features

- Uncased, 3 digits(AH-330) 3 1/2 digits(AH-331)
- Bright LED, 14.2mm(Red)
- Hold for AH-331(option)
- Power Supply DC5V $\pm 5\%$

■ Dimensions



■ Connection Diagram

