

# DIGITAL PANEL METER

## A2200



### ■ Features

- LED height 10mm
- Power supply 5 to 24VDC (Isolation)
- 4 1/2 digit

### ■ DC Voltage Measurement

Range	Measurement Range	Input Impedance	Input Protection	Accuracy
12	±1.999V	100M	±50V	± (0.1% of F.S)
13	±19.99V	1M	±250V	
14	±199.9V			

### ■ Power supply

#### ● Isolation type

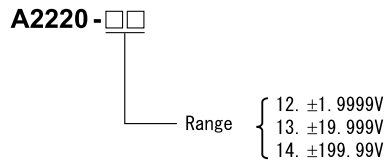
Voltage: 5 to 24VDC  
Consumption: 100mA

### ■ Specification

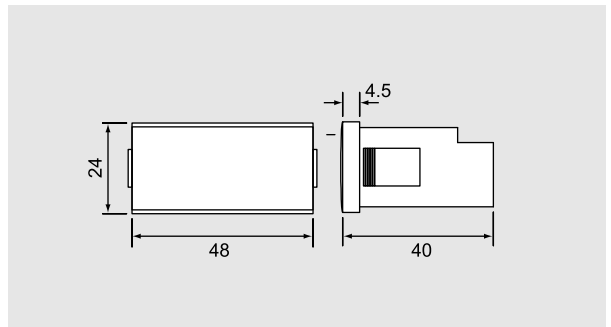
Input configuration: Single Ended  
Conversion rate: 2.5/sec  
Max display: 19999  
Overrange indication: When input exceeds the maximum display, 0000 or -0000 flashes  
Display: Red LED, 10mm  
Polarity: A "-" is displayed automatically  
Decimal point: Settable to any digit position by front SW  
External control: Hold  
Operating Temp.: 0 to 50°C 35 to 85% RH  
Dimensions: 48mm (W) × 24mm (H) × 39.7mm (D) DIN size  
Weight: 40g  
Dielectric strength: Power supply and input terminal at 500VDC/1min  
Case and each terminals at 1500VAC/1min  
Insulation resistance: 500VDC 100M Ω at the above terminals  
Conformed EN standard: EN61326-1 (However, 14 range is excluded)  
EN IEC 63000

\* Replacement for AP-241A, AP-242A, AP-244A (no option)

### ■ Ordering Code



### ■ Dimensions



### ■ Panel Cutout

