

Specifications of Main Unit

Product	Airflow Transducer
Model	Model 6333-00
Air Velocity Measurement Range	0.01 ~ 25.0 m/s (For 0975-00 / 0975-21 / 0975-31)
	0.01 ~ 30.0 m/s (For 0976-03 / 0976-04 / 0976-05 / 0976-07 / 0976-13 / 0976-14 / 0976-15 / 0976-17)
	0.01 ~ 50.0 m/s (For 0972-00 / 0973-00 / 0975-09 / 0975-10)
Temperature measurement range	0 ~ 60 °C (For 0975-31)
	0 ~ 100 °C (For 0976-15 / 0975-21)
	0 ~ 120 °C (For 0976-05)
Humidity measurement range	5 ~ 95 % (For 0975-31)
Resolution	Air velocity : 0.01 m/s, Temperature : 0.1 °C, Humidity : 0.1%RH
Display unit	m/s, °C, %RH
Analog output	Current output and voltage output are switchable with output conversion DIP switch Current output: DC4 ~ 20mA (maximum load: 250Ω) Voltage output: DC 0~5V *Current output is standard setting
Interface	RS485
Power supply	Can choose either of the following: AC adapter: Input AC100 ~ 240V, Output DC12V Supply external power to the terminal block: DC12V ~ 24V
Power consumption	About 3W (at Power supply voltage: 12V, wind speed 10m / s with probe: 0976-03)
Usage environment	Temperature 0~60°C (No condensation)
	Humidity 2 %RH ~ 98 %RH
Storage environment	Temperature -10~60°C (No Condensation)
	Humidity 2 %RH ~ 95 %RH
Size	About 100 (W) × 60 (D) × 25 (H) mm
Weight	About 200 g
Accessories	Manual: 1, Terminal block: 1 Piece
Warranty	1 Year

Specification of Probe

Model Number	Measurement Target	Directivity	Air Velocity			Wind Temperature		Humidity		Operating Temperature	Temperature compensation sensor
			Measurement Range	Measurement Accuracy	Responsivity	Measurement Range	Measurement Accuracy	Measurement Range	Measurement Accuracy		
0972-00 0973-00	Wind Speed	Yes	0.01~50.0m/s	The larger of ± 2% or ± 0.02 m/s of the displayed value	1 second	—	—	—	—	0-100°C	± 5% of displayed value at 0-100 °C
0975-00			0.01~25.0m/s								
0975-09 0975-10		0.01~50.0m/s									
0976-03 0976-04 0976-07		0.01~30.0m/s	3 second								
0976-13 0976-14 0976-17	0.01~30.0m/s										
0976-05 0976-15 0975-21	0.01~25.0m/s	0~120°C		±0.5%	5~95%RH	5~80%RH:3%RH 80~90%RH:5%RH	0-120°C	± 5% of displayed value at 0-120 °C			
0975-31	0.01~25.0m/s	0~100°C	±0.5%	0-100°C			± 5% of displayed value at 0-100 °C				

Responsivity: Indicated value gets 0.9m/s or more than 0.9m/s to "air velocity 1m/s" on the certain temperature condition

Standard cable

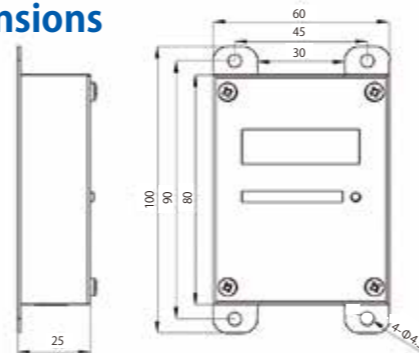
Model	Length
1580-30	0.5 m
1580-31	2 m
1580-32	5 m
1580-33	10 m
1580-34	20 m
1580-35	40 m

Accessories

Model	Product name
6333-10	AC Adapter
6333-70	DIN rail fixing base
6333-40	Measurement software
1580-90	Probe fixing jig
1580-92	Double-coated tape for 0976

Dimensions

Unit in mm



Airflow Transducer

MODEL 6333



For remote monitoring and controlling air velocity, temperature, humidity

- 15 types of interchangeable probes for various applications
- The smallest probe in the industry
- High heat resistance enables precise measurement even in tough environments
- Supports digital and analog outputs
- Switched to current output or voltage output
- Improved probe response and accuracy, micro air velocity limit of 0.01 m/s

● Distributed by :



KANOMAX USA, INC.

219 US Hwy 206, Andover NJ 07821 USA
 TEL : +1 973-786-6386
 E-mail : sales@kanomax.com
 URL : www.kanomax-usa.com

