

STAND-PC
21.5-inch touch screen
LCD integrated PC
SPT-100A-22TP01



* Specifications, color and design of the products are subject to change without notice.

Features

- Shipped to your door already assembled as an "All-in-One" PC.

The product is shipped from the factory with the display monitor, stand, PC unit pre-assembled. Just connect the cable to the PC and turn on the power to get started.

- Rich, extendable interfaces with more than 10 ports.

With rich and extendable interfaces that include 1000BASE-T×2, USB3.0×1, USB2.0×5, serial (RS-232C) ×2, and general I/O port ×1, this is the best PC for use in industrial applications where peripheral device extension capability is a must.

- High-performance touch screen display.

The high-performance industrial touch screen display is of a type also used for medical equipment. It features touch operations similar to that of tablets or smartphones with 10-point multi-touch capabilities. It also provides superior visibility thanks to a viewing angle of 178°(Horizontal) / 178°(Vertical).

- The front side of the display meets the IP54 standard, and the fan-less PC design ensures dust-free specification.

The front side of the display is designed to be dust and drip free to meet the IP 54 standard. The PC unit contains no fan, which ensures free from dust or foreign substance.

- A low center gravity structure achieved by mounting the PC in the pedestal.

Mounting the PC unit in the pedestal of the display stand achieves a low center gravity structure and makes the product stable.

The pedestal part can also be set with screws.

- Long-term product availability contributes to low-cost operation.

In addition to the industrial display monitor, taking up CPU configurations can contribute to longer-term product availability.

This frees the users from operation checks or device structure changes each time PC models changes, and it also reduces the running costs of development or verification.

- Pre-installation of OS to support the latest integrated type

Windows 10 IoT Enterprise LTSB 2016 64-bit edition is installed to support Japanese, English, Chinese, and Korean.

Unlike Windows10 commonly used, long-term availability with the same specifications are guaranteed. Moreover, Write Filter, one of the additional functions, enables the system to operate with Read-only.

This product is an "All-in-One" PC with an integrated high-performance touch screen.

21.5-inch size of the display monitor is pre-installed, and more than 10 ports of rich, extendable interfaces such as DVI-I, 1000BASE-T, USB 3.0, serial and Audio are provided.

Embedded-type chipset and CPU have been adopted. The use of readily available parts ensures the ease of the use of the product.

- * The contents in this document are subject to change without notice.
- * Visit the CONTEC website to check the latest details in the document.
- * Visit the CONTEC website to check the latest OS.
- * The information in the data sheets is as of November, 2018.

Packing List

- Product [SPT-100A22TP01]...1
- AC Adapter for PC...1
- AC Power Cable for PC...1
- DVI Cable for Display...1
- DVI-Analog RGB Conversion Adapter...1 *1
- Stand Wiring Cover...1
- AC Adapter for Display...1
- AC Power Cable for Display...1
- USB Cable for Touch Screen...1 *1
- Cable Tie...2
- Serial Number Label...1
- Product Guide...1
- IPC Precaution List...1
- Warranty Certificate...1
- End User License Agreement (EULA)...1
- Setup Procedure Document...1
- CFast User's Guide...1
- Recovery Media...1

*1 Preset upon shipping.

Supported OS

- Windows 10 IoT Enterprise LTSB 2016 64-bit (Japanese / English / Chinese / Korean)

Specifications

Functional Specifications

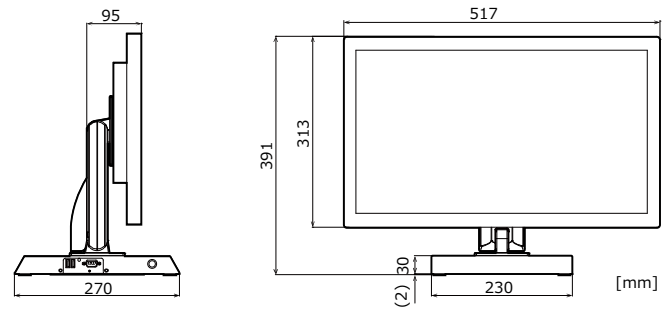
Item	SPT-100A-22TP01	
Processor	Intel® Atom™ Processor E3845 (1.9GHz 4 core/4-thread)	
Main memory	4GB ECC (PC3-10600)	
Storage	32GB SSD (Q-MLC CFast card, 1 partition)	
Graphics	Processor built-in	Intel®HD graphics
Video memory/ standard-resolution	Share with the main memory / 640×480 - 1,920×1,080 (digital)/ 16,770,000 colors	
Display	Panel type	21.5-inch wide Gloss screen IPS panel
	Touch screen detection system	Projected capacitive touch screen 10-Point multi touch
	Touch screen communication method	USB
	Aspect ratio	16 : 9
	Pixel pitch	0.247 x 0.247 mm
	Resolution (max)/ Display color (max)	1,920 x 1,080 (60Hz) /16,770,000 colors
	Contrast ratio (max)	1,000 : 1
	View angle (horizontal/vertical)	178°(Horizontal) / 178°(Vertical)
	Response time	8ms (Gray to Gray)
	Maximum luminance (with touch screen)	225 cd/m ²
Dust-proof Drip-proof	Display front side IP54-compliant	
External interface	LAN	Intel I210IT controller 2×1000BASE-T/100BASE-TX/10BASE-T (Wake On LAN support)
	USB	1×USB 3.0, 5×USB 2.0
	RS-232C	2×RS-232C 9-pin D-SUB connector (male) Baud rate: 50 - 115,200bps
	Display	1×DVI-I (29-pin DVI-I connector)
	Audio	1×LINE OUT, 1×MIC IN (HD Audio compliant)
Power supply (Display)	Rated power supply input voltage	100 - 240VAC
	Range of input voltage	90 - 264VAC
	Power consumption	48W
Power supply (PC)	Rated power supply input voltage	100 - 240VAC
	Range of input voltage	90 - 264VAC
	Power consumption	40W
	External device power supply capacity	CFast card slot: +3.3V : 1A (500mA×2) USB3.0 I/F : +5V : 0.9A (900mA×1) USB2.0 I/F : +5V : 2.5A (500mA×5)
Physical dimensions (mm)	* Display horizontal installation 517(W) x 270(D) x 391(H) (No protrusions) *Display vertical installation 313(W) x 270(D) x 596(H) (No protrusions)	
Weight	10kg (Excluding AC adapter)	
Operating system	Windows 10 IoT Enterprise LTSB 2016 64-bit (Japanese/English/Chinese/Korean)	

Installation Environment Requirements

Item	SPT-100A-22TP01	
Operating temperature	5 - 40°C	
Operating Humidity	20 - 80%RH (No condensation)	
Storage temperature	-20 - +60°C	
Operating Humidity	5 - 80%RH (No condensation)	
Floating dust particles	Not to be excessive	
Corrosive gases	None	
Line-noise resistance	Line noise	AC line/±2KV, Signal line/±1KV (EN61000-4-4 Level3, IEC61000-4-4 Level3)
	Static electricity resistance	Contact discharge / ±4kV (IEC61000-4-2 Level 2, EN61000-4-2 Level 2) Atmospheric discharge / ±8kV (EN61000-4-2 Level 3, IEC61000-4-2 Level 3)
Vibration resistance	Sweep resistance	10 - 57Hz / semi-amplitude: 0.075 mm, 57 - 150Hz /1G 40 min. each in x, y, and z directions (JIS C60068-2-6 -compliant, IEC60068-2-6 -compliant)
	Shock resistance	10G, half-sine shock for 11 ms in x, y, and z directions (JIS C60068-2-27-compliant, IEC60068-2-27-compliant)
Standard	VCCI Class A, FCC Class A, CE Marking (EMC Directive Class A, RoHS Directive)	

Physical Dimensions

Display horizontal installation



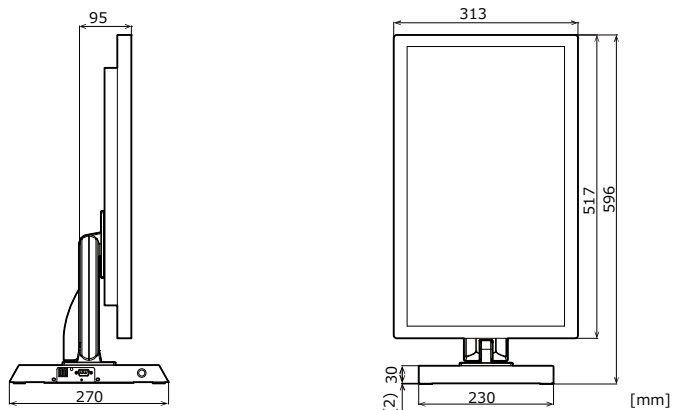
Display vertical installation

*When installing the display vertically, connecting cables need to be acquired individually.

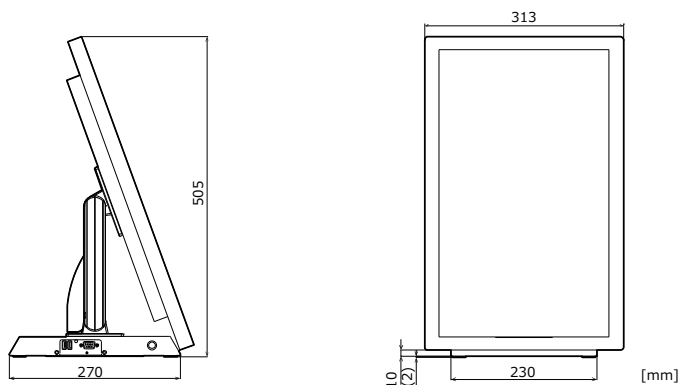
Recommended cables

Name	Model	Maker
DVI cable (1m)	DLD2-1M-TL	THIRDWAVE Corporation
USB cable (1m)	U2C-JB10BK	ELECOM CO.,LTD

Set the display bracket on the lower side

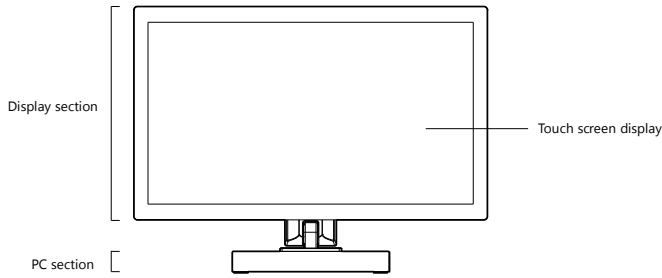


Set the display bracket in the center

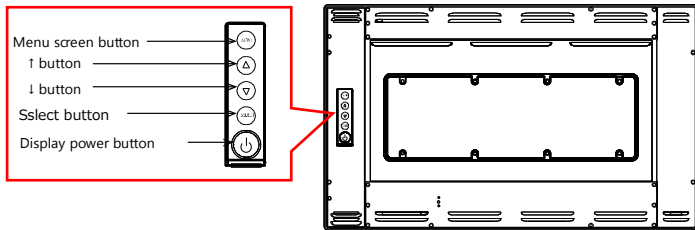


Component Name

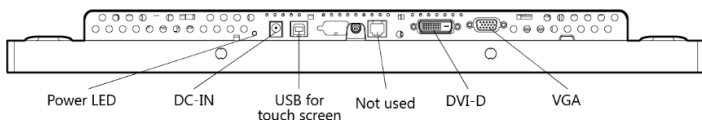
Product front view



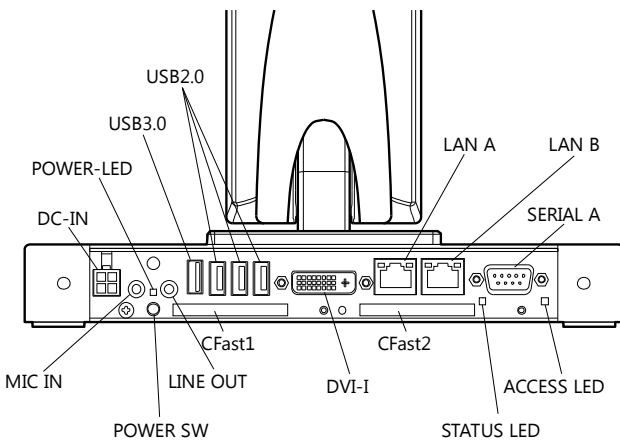
Display section rear view



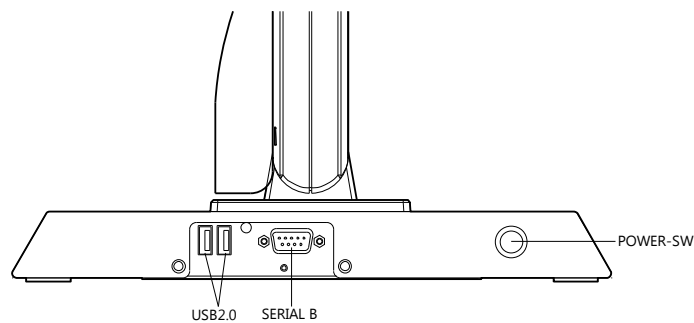
Display section bottom view



PC section connector view



PC section side view



Component Function

Name	Function
Display section bottom	
POWER LED	Power ON display LED
DC-IN	DC power input connector
USB	USB for the touch screen TYPE-B connector x 1
DVI-D	Display port (24-pin Female)
VGA	Display port (15-pin HD-SUB Female)
PC section connector	
POWER LED	PC power ON display LED
STATUS LED	Status LED
ACCESS LED	CFast disk access display LED
DC-IN	DC power input connector
POWER-SW	Power switch
MIC IN	Mic input (3.5p PHONE JACK)
LINE OUT	Line out (3.5p PHONE JACK)
DVI-I	Display (29-pin Female)
USB3.0	USB3.0 port TYPE-A connector x1
USB2.0	USB2.0 port TYPE-A connector x3
LAN A	Ethernet 1000BASE-T/100BASE-TX/10BASE-T RJ-45 connector
LAN B	Ethernet 1000BASE-T/100BASE-TX/10BASE-T RJ-45 connector
CFast1	CFast card slot (SATA connection)
CFast2	CFast card slot (SATA connection)
SERIAL A	Serial port A connector (9-pin D-SUB Male)
PC section side	
USB2.0	USB2.0 port TYPE-A connector x2
SERIAL B	Serial port B connector (9-pin D-SUB Male)
POWER-SW	Power switch

For inquiry, please contact:

<https://www.n-denkei.com/malaysia/>

Denkei TECHNICAL PARTNER **NIHON DENKEI (MALAYSIA) SDN BHD**
 Company No: 359102-V
KL Office :
 Unit No A-11-1, North Point Office, Mid Valley City,
 No 1, Medan Syed Putra Utara, 59200 Kuala Lumpur.
 Tel : 603-2283 5702 Fax : 603-2283 5707
Penang Branch :
 2-2-9, Tingkat Mahsuri, One Square, Bayan Baru,
 11950 Bayan Lepas, Penang, Malaysia.
 Sales : 6012-653 6120 Service : 6012-227 3466
 Fax: 604-637 4895 E-mail : ndenkei@n-denkei.com.my